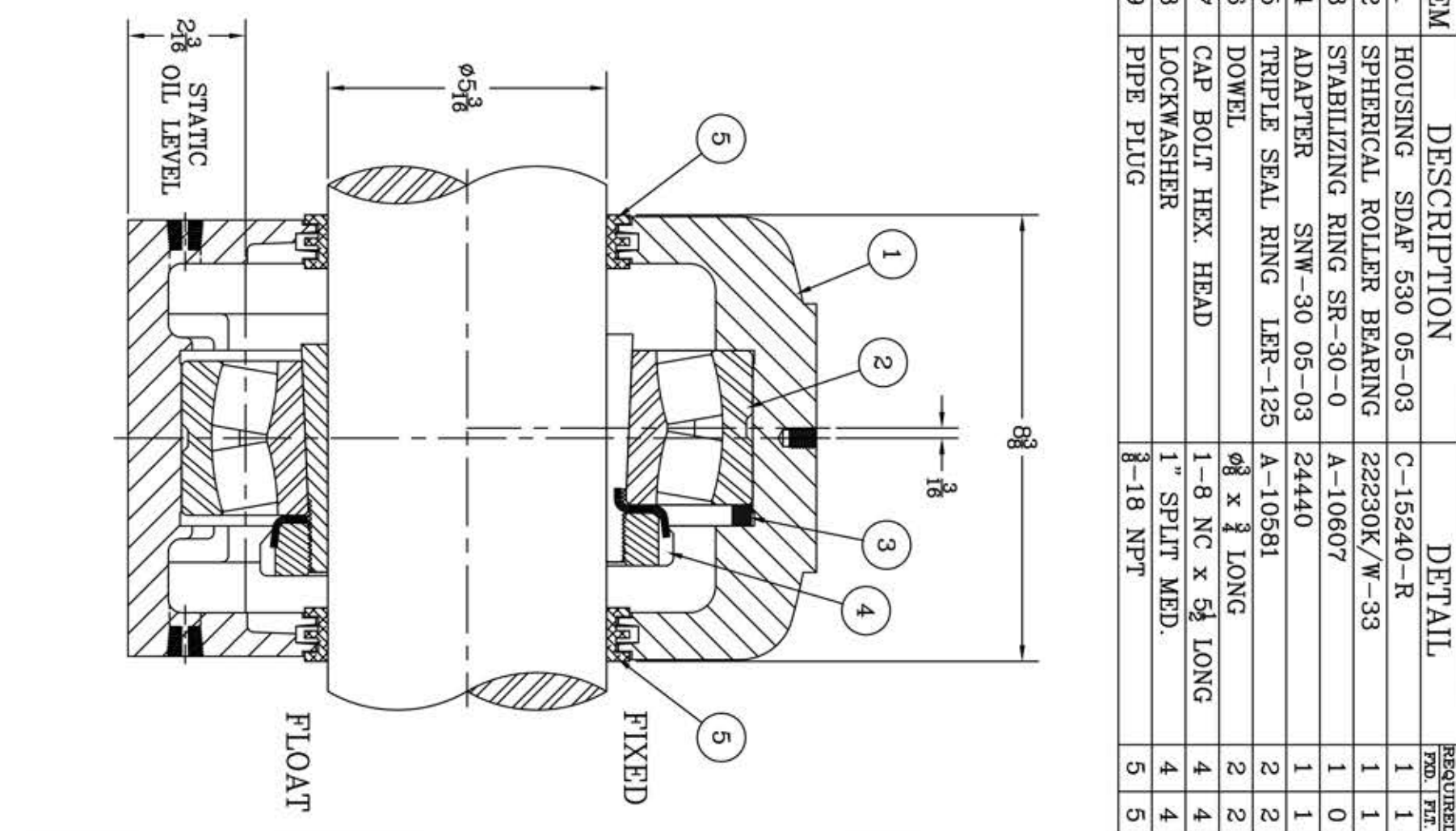
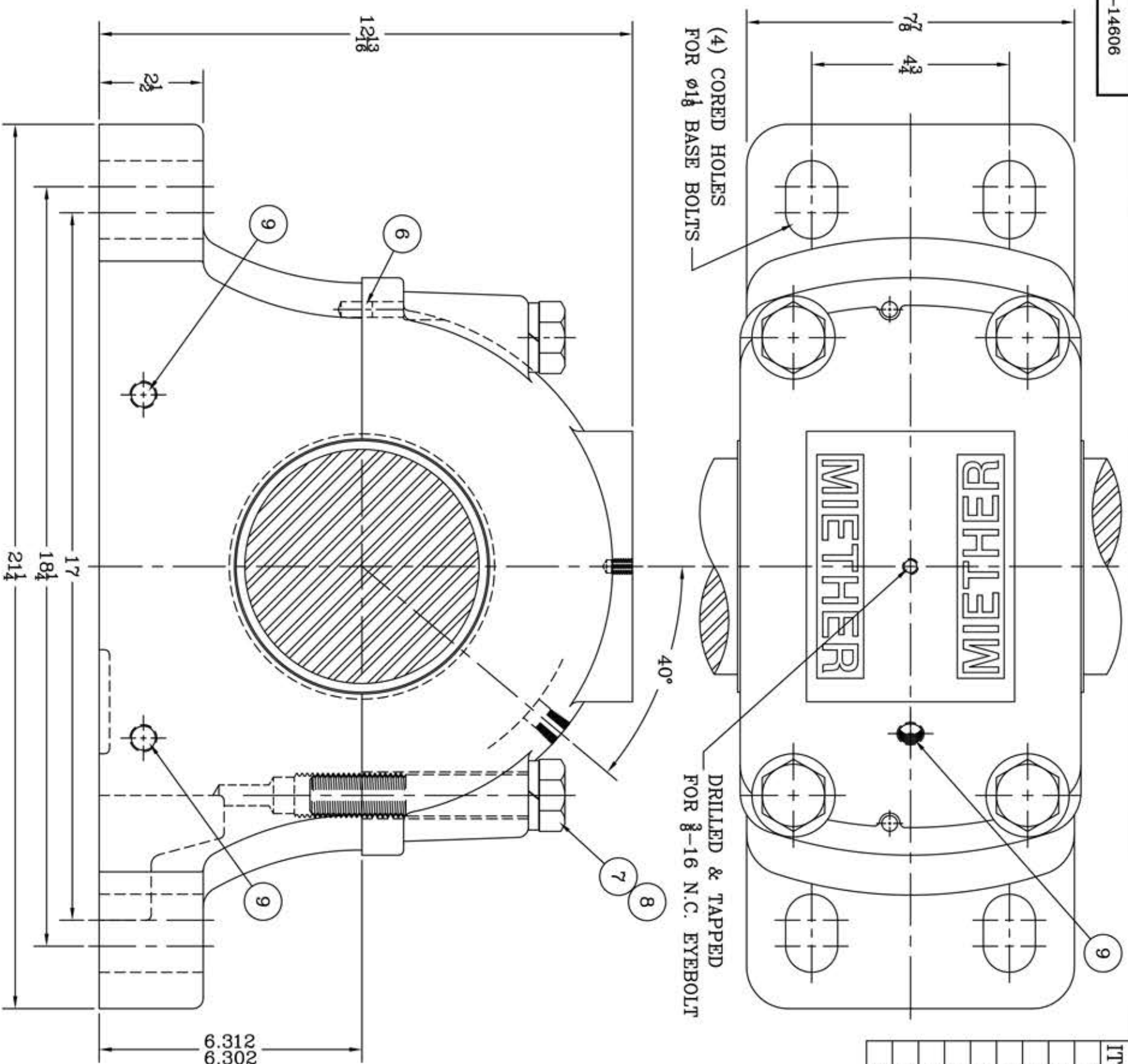


This drawing is the sole property of Miether Bearing Products and contains confidential and proprietary information. It is being provided to you for your use and may not be disclosed to any third party or used for any other purpose without Miether's prior written consent. The [materials] must be returned to the Company upon its demand. Your acceptance of these materials constitutes your acceptance of the foregoing terms.

C-14606



ITEM	DESCRIPTION	DETAIL	REQUIRED
1	HOUSING SDAF 530 05-03	C-15240-R	1 1
2	SPHERICAL ROLLER BEARING	22230K/W-33	1 1
3	STABILIZING RING SR-30-0	A-10607	1 0
4	ADAPTER SNW-30 05-03	24440	1 1
5	TRIPLE SEAL RING LER-125	A-10581	2 2
6	DOWEL	$\phi 8$ x $\frac{3}{4}$ LONG	2 2
7	CAP BOLT HEX. HEAD	1-8 NC x $5\frac{1}{2}$ LONG	4 4
8	LOCKWASHER	1" SPLIT MED.	4 4
9	PIPE PLUG	$\frac{3}{8}$ -18 NPT	5 5

REDRAWN FOR CONFORMITY
RWB per KAB
7-21-04

REVISIONS

SYMBOL	DESCRIPTION
C	REVISION 16
D	REVISION 32
E	REVISION 63
F	REVISION 125
G	REVISION 250
J	REVISION 500
K	REVISION 1000

TOLERANCE: UNLESS OTHERWISE SPECIFIED
FRACTIONS $\pm 1/32"$ ANGLES $\pm 0^\circ 30'$
DECIMALS $\pm .005"$ WELD $\pm 1/16"$
CASTING $\pm 1/16"$

A.I.S.I. STANDARD FINISHES

AN ALCO INDUSTRIES COMPANY
BEARING PRODUCTS
ODESSA, TX. USA

SDAF 22530 05-03	ASSEMBLY DRAWING
SCALE HALF	ASSEMBLY NO.
DRAWN CJ	DRAWING NO.
DATE 1/4/72	CHK: C-14606